

Industrial - Aqueous Parts Cleaner Operator's Manual

I. Introduction

A. General Information

Do not operate electrical equipment inside of parts cleaner.

**Do not allow heater to operate unattended for long periods,
such as evenings or weekends.**

Read and understand all labels, MSDS, and this instruction manual before use.

The Industrial Aqueous Parts Cleaner is an economical, safe, and innovative system designed to clean parts, using an aqueous based solutions. Aqueous solutions, when contaminated by grease and oil, may be considered a hazardous waste and must be disposed of properly. Consult your local environmental management agency for additional guidance and other hazardous materials compliance requirements.

Install your parts cleaner on a flat level surface in an area provided with adequate ventilation. Avoid repeated or prolonged breathing of vapors. Use of compressed air to dry parts may cause a high concentration of vapors in the immediate area. Local exhaust ventilation should be used in areas of high vapor concentration. Provisions for determining and maintaining adequate ventilation are the responsibility of the operator.

Make sure the parts cleaner is connected to a properly grounded 15 amp, 120 volt 60 Hz power source.

This equipment is designed for use only, with Aqueous Based Solutions. Do not use Flammable or Combustible solvents. Do not add any other chemicals to the cleaning agent including, but not limited to, kerosene, fuel oil, gasoline, or chlorinated solvents. The use of any other solvents could potentially cause a hazardous condition.

B. Safety

Complete safety in use is dependent upon proper use and handling of the parts cleaner in your workplace.

It is important that you follow the instructions provided in this manual. If you fail to read, understand, and follow all of the procedures in this manual, you may cause or suffer personal injury.

Industrial - Aqueous Parts Cleaner Operator's Manual

II. Safety Instructions and information

A. Fire

In case of a fire:

Use a Type ABC or Type BC fire extinguisher.

Do not use water.

Contact your local fire department.

Do not use Flammable or Combustible solvents.

In an emergency, unplug the electrical supply to the unit.

Avoid contact with eyes or skin. Wear protective eyewear, gloves, and clothing.

When cleaning carburetors or other fuel supplying components, remove all gasoline into a proper disposal container before placing the component into the parts cleaner.

Do not spray aerosols into or around this machine. Install the equipment in an area away from heat, sparks, and open flame. Never put hot parts into the solvent.

Do not modify the equipment in any way.

Do not leave solvent-soaked rags in parts cleaner, wadded up on workbenches, or in uncovered containers.

Operation should be conducted in a manner, which prevents splashing, or spillage. Any solvent spills should be promptly and properly cleaned up. Soak up all spills with absorbent material. Remove and dispose of all soaked material in accordance with regulatory requirements.

Close cover when the equipment is not in use. This will reduce solvent loss due to evaporation.

Industrial - Aqueous Parts Cleaner Operator's Manual

B. First Aid (Medical instructions)

1. **EYES:** Contact may cause slight to moderate irritation. **For direct contact, flush eyes with water for 15 minutes. If irritation from vapors or mists develops, move victim into fresh air.**

2. **SKIN:** Prolonged or repeated contact tends to remove skin oils, possibly leading to dermatitis. **Remove contaminated clothing, wash skin with soap and water. If irritation or pain develops or persists, consult a physician.**

3. INHALATION (Breathing):

High concentrations of vapor or mist may be irritating to the respiratory tract. **Remove to fresh air immediately. Do not leave victim unattended. Consult a physician if necessary.**

4. INGESTION (Swallowing):

Low order of acute oral toxicity. **Drink 4 to 8 ounces of water and seek medical attention. DO NOT induce vomiting.**

C. Environmental

1. **Avoid spilling solvent.** Spilled solvent can create slippery conditions, clean it up immediately. Close off area to traffic. Wear appropriate personal protective equipment to prevent eye and skin contact. Consult the Material Safety Data Sheet for instructions on clean-up and disposal.

2. **Contain leaks promptly.** Notify local environmental authorities if necessary.

3. **Proper housekeeping in the area of the parts cleaner is the responsibility of the user.**

4. **Aqueous solvents, when contaminated with grease and oil, may be considered a hazardous waste and must be disposed of properly. Consult your local environmental management agency for additional guidance and other applicable hazardous materials compliance requirements.**

5. **For further information consult the Material Safety Data Sheet provided by the solvent supplier.**

Industrial - Aqueous Parts Cleaner Operator's Manual

III. Installation

- A. Position drum upright on a hard level surface in a well-ventilated area.
- B. Attach the drum bracket to the heater assembly, do not tighten the bolts. Note if you are using a steel drum use the bracket with the larger offset lip, if you are using a plastic drum use the bracket with the smaller offset lip.
- C. Place the pump/heater assembly onto the drum.
- D. Place the sink on the drum so the pump/heater assembly fits in the relief in the back of the tank.
- E. Screw the pump/heater assembly to the sink.
- F. Slide bracket as far forward as possible to completely catch on the drum lip and tighten the screws to secure.
- G. Connect the quick coupler from the pump to the quick nipple on the back of the sink.
- H. Place the filter strainer and grate in the hole on the bottom of the sink.
- I. Put the work tray into the sink.
- J. Plug the cord from the pump/heater assembly into the receptacle on the control box.
- K. Fill solvent reservoir to the correct level. This equipment is designed for use only, with Aqueous Based Solutions. Do not use Flammable or Combustible solvents. Do not add any other chemicals to the cleaning agent including, but not limited to, kerosene, fuel oil, gasoline, or chlorinated solvents. The use of any other solvents could potentially cause a hazardous condition.

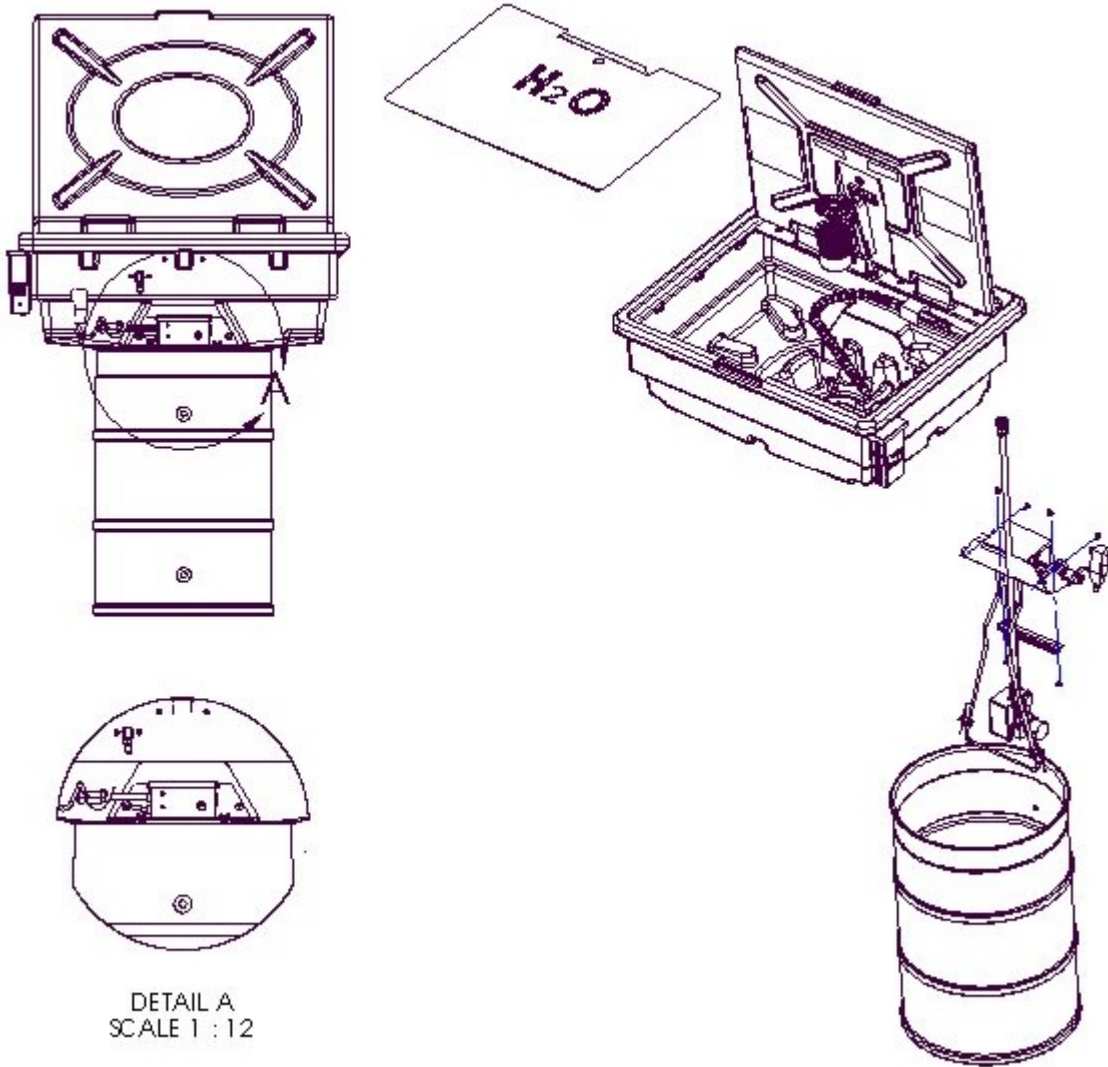
Capacity Model PE-235= 20 gal. (75.7 L.)

L. Power requirements

To function properly this equipment must be connected to a properly grounded electrical source rated at 15 amp, 120 volt 60 Hz.

Load capacity 150#. Do not exceed rated load.

Industrial - Aqueous Parts Cleaner Operator's Manual



Industrial - Aqueous Parts Cleaner Operator's Manual

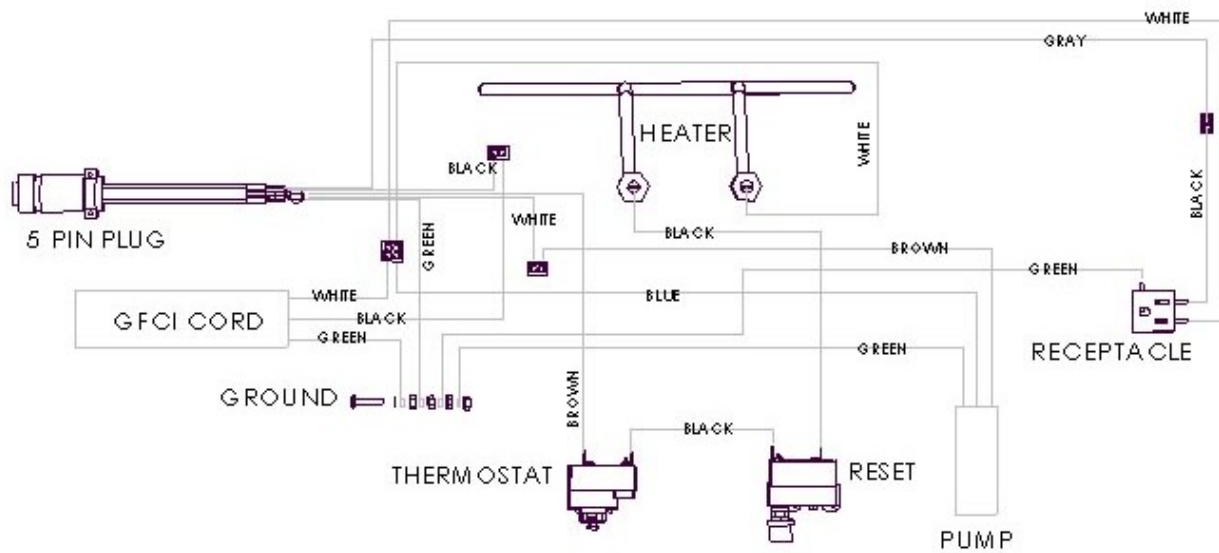
IV. Operation

- A. Turn on the heater control switch, at the beginning of each workday or shift. Allowing the solution temperature to rise will aid in the cleaning efficiency.
- B. Avoid prolonged contact with hands. Use gloves or barrier cream.
- C. Wear protective safety glasses suitable to prevent solvent splashing into eyes.
- D. Wear a protective apron or garment to avoid absorption of solvent into clothing.
- E. Open the cover and adjust the spray nozzle into the work area.
- F. Load parts to be cleaned. Maximum load capacity 150#. CAUTION: Load parts into the center of the tank to reduce the chances of tipping.
- G. Turn on the pump control switch.
- H. Clean parts using solvent nozzle and flo-thru brush. Use of a stiff bristled brush to scrub parts will maximize cleaning efficiency on difficult to remove deposits.
- I. Turn off pump control switch when operation is complete.
- J. Allow parts to drain in parts cleaner prior to removal. Be sure parts, especially brake parts, are completely dry before reassembly.
- K. Turn off heater control switch at end of daily use. Do not allow the heater to operate unattended for long periods, such as evenings or weekends.

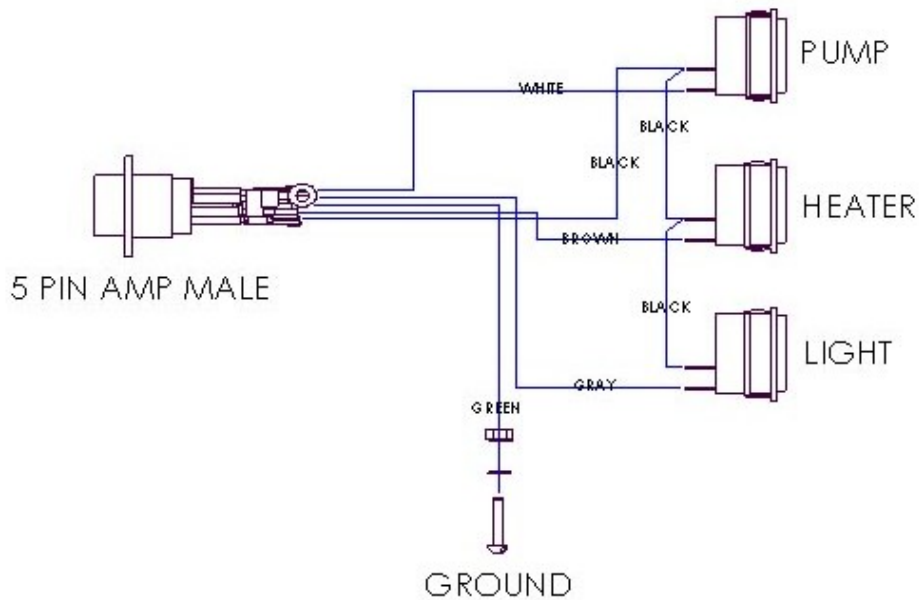
Industrial - Aqueous Parts Cleaner Operator's Manual

V. WIRING DIAGRAM

WRING DIAGRAM HEATER/PUMP ASSY

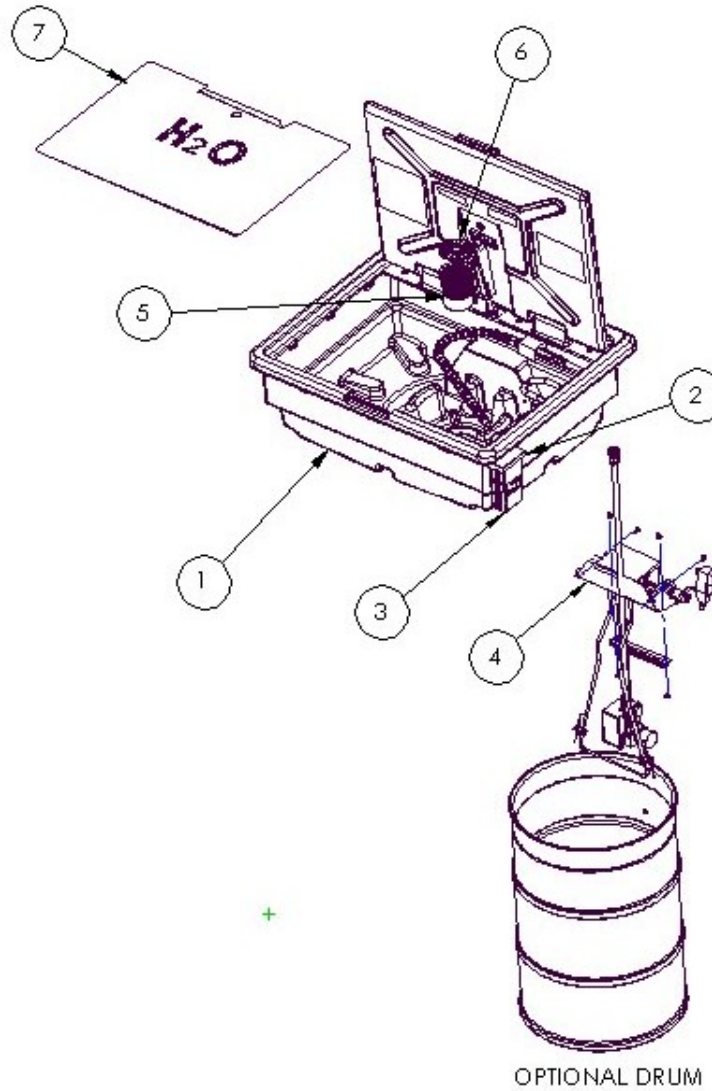


WRING DIAGRAM CTRL BOX



Industrial - Aqueous Parts Cleaner Operator's Manual

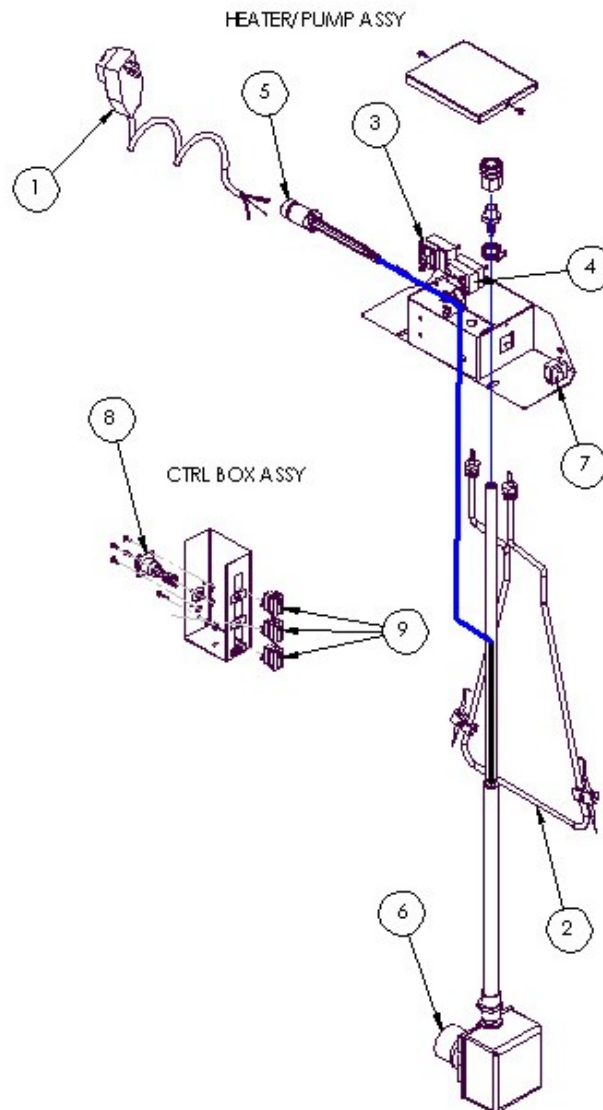
VI. PARTS BRAKEDOWN



PARTS LIST

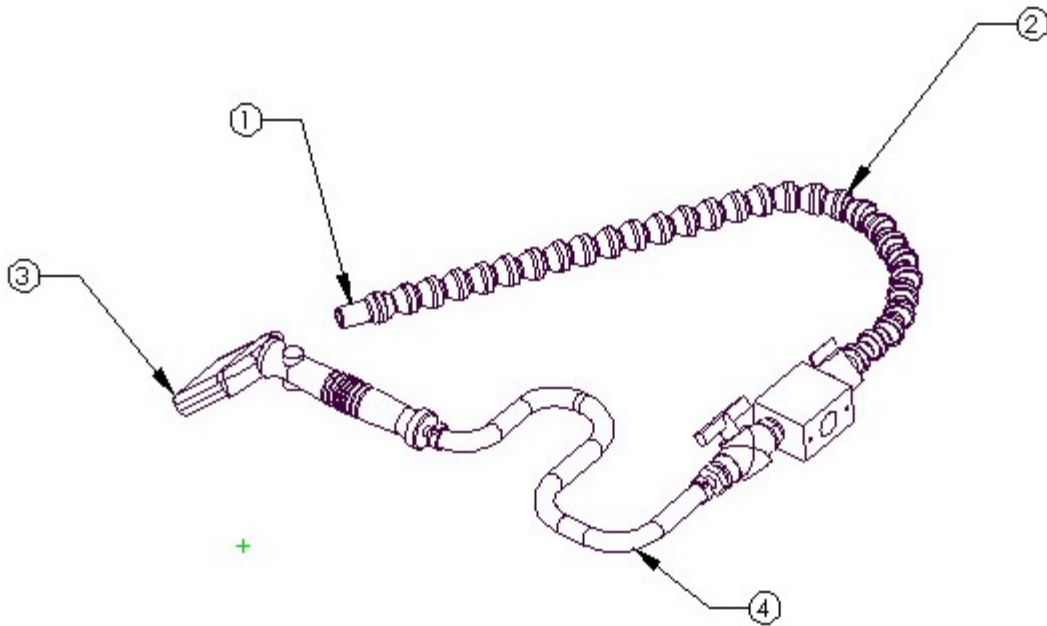
ITEM	PART #	QTY	DESCRIPTION
1	58014	1	TANK ASSEMBLY
2	57729	1	CONTROL BOX BRACKET
3	57783	1	CONTROL BOX ASSEMBLY
4	57777	1	HEATER/PUMP ASSEMBLY
5	6430	1	STRAINER, PLASTIC
6	6431	1	FILTER GRATE, PLASTIC
7	57656	1	TRAY, H2O

Industrial - Aqueous Parts Cleaner Operator's Manual



ITEM	PART #	QTY	DESCRIPTION
1	57772	1	CORD, GFCI
2	01626	1	HEATER, 1000W, 120V
3	9039	1	THERMOSTAT, 110 DEGREE
4	01041	1	RESET, 140 DEGREE
5	02206	1	CORD, 5 PIN MALE CONNECTOR
6	58002	1	PUMP ASSEMBLY
	8870	1	PUMP, 300GPH AQUEOUS
7	56376	1	RECEPTACLE REWORK
8	02224	1	RECEPTACLE, 5 PIN
9	01122	3	SWITCH, ROCKER

Industrial - Aqueous Parts Cleaner Operator's Manual



ITEM	PART #	QTY	DESCRIPTION
1	8969	1	NOZZLE, 1/2" LOC-LINE
2	55042-1	1	FLEX HOSE, LOC-LINE, CTL
3	01205	1	BRUSH, FLAT ANGLE, AQUEOUS
4	55678-6	1	HOSE, BRUSH